

SAFETY-KLEEN MODEL 98

AQ-1™ AQUEOUS

PARTS WASHER

Operator Booklet



Customer should read and retain this booklet.

All rights reserved. No part of this publication may be reproduced, stored in a retrieval system, or transmitted in any form or by any means, electronic, mechanical, photocopying, recording, or otherwise, without prior written permission of Safety-Kleen Systems, Inc

LOCAL SAFETY-KLEEN BRANCH

OFFICE ADDRESS

PHONE NUMBER

TABLE OF CONTENTS

Safety Measures	1
The Cleaning Solution	2
The Equipment	2
Specifications	4
Operation.....	4
Troubleshooting	6
Service and Repair.....	7

SAFETY MEASURES



Safety in the workplace is dependent upon the proper use of this equipment and the solvent used in it. Therefore, it is important to carefully follow all safety instructions and operational procedures provided in this booklet and on the labels, as well as all instructions included in the solvent's Safety Data Sheet (SDS). Failure to do so may create a dangerous working environment.

Keep a copy of this booklet and the SDS near the equipment for quick and easy reference.



In accordance with Occupational Health and Safety Administration (OSHA) in the U.S. and the Workplace Hazardous Materials Information System (WHMIS) in Canada, this parts washer model has been tested by a Nationally Recognized Testing Laboratory (NRTL), Intertek Services, and is found to be in compliance with the following standards:

- ANSI/UL 201: The Standard for Safety for Garage Equipment
- CAN/CSA C22.2 No. 68 : The Standard for Motor Operated Appliances
- UL 1204 - Outline of Investigation for Parts Washers

Important Safety Instructions

1. In an emergency, turn off electrical supply.
2. Use caution when opening the unit after use - steam and heated vapor may be emitted.
3. Read and understand this booklet and the Safety Data Sheet for the solvent in use before operating. Operate the equipment only as described in this booklet. Use only manufacturer's supplied attachments.
4. Do not modify the equipment. Modification may cause personal injury and/or property damage, and will void the warranty.
5. Always close and latch the sink. Do NOT modify, alter, or obstruct the operation of the interlock switch.
6. Avoid contact with solvent or vapor. Always wear appropriate personal protective equipment ([PPE] ie., gloves, apron, eyewear, respirator [where required]) to meet OSHA and WHMIS protection standards. **Always wear safety glasses.** Everyday eyeglasses only have impact resistant lenses, they are not safety glasses. Consult the SDS and follow all recommended PPE and safety information.
7. Do NOT add other chemicals to the aqueous solution including, but not limited to, kerosene, fuel oil, gasoline, detergents, or chlorinated aqueous or solvent solutions. Avoid contact with acids, oxidizing agents, or reducing agents, reactive halogens, or reactive metals. Do NOT use petroleum base solvents or flammable products in this parts washer.
8. Do not operate the equipment in any manner that can cause splashing or mist to form. Do not spray aerosols into or around the equipment.
9. Do not smoke, eat, or drink in the work area. Use good personal hygiene. Wash hands thoroughly with soap and water after handling. Make sure clean water is available in the work areas for flushing the eyes and skin.
10. Do not lean into the equipment.
11. Keep a fire extinguisher (dry chemical type ABC, dry chemical type BC, foam, carbon dioxide or Halon) nearby when working with flammable and combustible fluids. Do not use water to extinguish a fire.
12. Use only in a well-ventilated area.

SAFETY-KLEEN SYSTEMS, INC.

AQ-1 OPERATOR BOOKLET

13. CAUTION! To provide continued protection against risk of electric shock, fire, and explosion, connect to properly grounded outlets only.
14. WARNING! Risk of explosion. This equipment has internal arcing or sparking parts, which should not be exposed to flammable vapors. Do NOT place the unit in a recessed floor area or below floor level.
15. Do not operate equipment in the vicinity of any open containers of flammable and/or combustible liquids (e.g., gasoline) or near any ignition source. Keep away from heat, spark, or flame to reduce the risk of fire.
16. Do not place hot parts in contact with the solvent.
17. Do not clean friction materials (e.g., brake linings and clutch surfaces) in this equipment. Do NOT clean or degrease porous or absorbent materials, such as; cloth, leather, wood, or paper in this equipment.
18. Do not operate any electrical apparatus inside the equipment.
19. Do not use compressed air to dry parts.
20. Do not obstruct, or hang anything, on the lid. Close the lid when the equipment is not in use.
21. Do not leave unattended objects in the equipment that can interfere with lid closure. Lid will close automatically during a fire.
22. To reduce the risk of electric shock, do not use on wet surfaces or expose to rain.
23. Do not operate the equipment if a leak is apparent or occurs during use. Slippery conditions can result. Use caution when attempting to stop the leak (only attempt if possible to do without risk). Consult the SDS for clean-up measures. Contact your Safety-Kleen Representative.
24. Do not operate damaged equipment until it has been examined by a qualified service technician.
25. Clean up spills immediately. Flammable/combustible vapors can spread further than the spill itself. They may also collect in pits or other low areas, creating a fire hazard.

Save These Instructions

THE CLEANING SOLUTION

CAUTION

The cleaning solution used in this equipment has been classified as follows: May irritate the nose, throat, lungs, eyes, skin, and digestive tract.

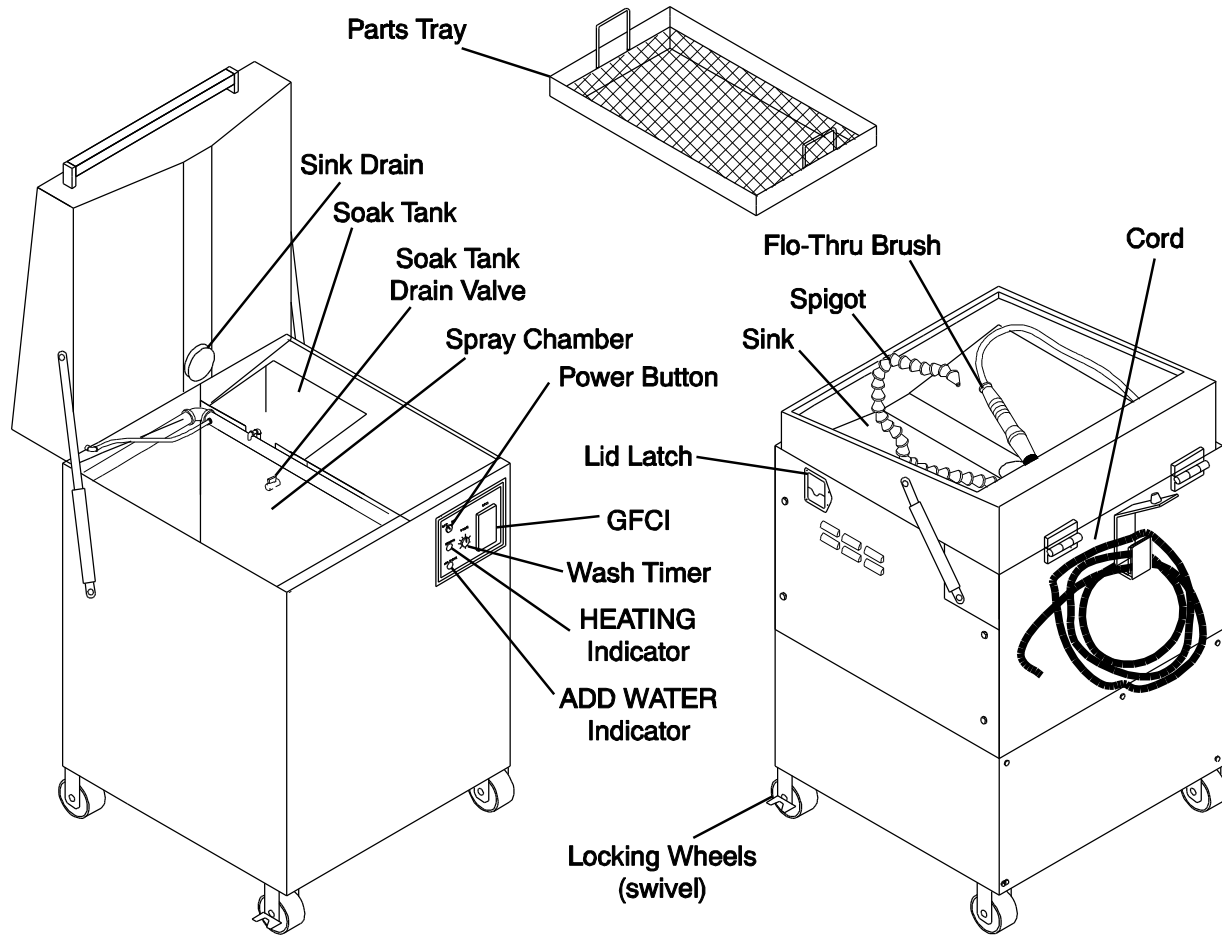
Use ONLY the cleaning solution provided such as ARMAKLEEN™ 4in1 Cleaner or other aqueous solution offered by Safety-Kleen Systems, INC. Do not spray aerosols into or around this equipment. Do not add any other cleaning solutions or chemicals to the cleaning solution. The use of other chemicals may cause a hazardous condition. Do not remove cleaning solution from the equipment.

This unit has only been investigated for use with non-flammable and non-combustible water based cleaning solutions with a pH in the range of 7.0 to 11.6

THE EQUIPMENT

The Safety-Kleen AQ-1™ Aqueous Multi-Purpose Parts Washer features a parts washing spray chamber with parts tray, an agitated soak tank and a parts washing sink equipped with a flow-thru brush and spigot. The system pumps Safety-Kleen cleaning fluid through the spray bars inside the spray chamber and through the spigot and/or a flow-thru brush assembly simultaneously. Valves are used to control the flow of the fluid through the spigot and the flow-thru brush assembly. The equipment operates using grounded 120V power.

This equipment is designed as a customer workplace device. Typical applications are automotive repair shops, service stations and manufacturing facilities for cleaning small to medium sized parts and/or assemblies using a water-based cleaning fluid.



SPECIFICATIONS

Operation Type	Manual, Soak & Automatic
Unit Dimensions	
Depth	28" (71 cm)
Height at Sink	46" (117 cm)
Height with Lid Open	63" (160 cm)
Width	28" (71 cm)
Soak Tank Dimensions	
Depth	8" (20 cm)
Height	7.6" (19 cm)
Width	11.8" (30 cm)
Parts Tray Dimensions	
Depth	24" (62 cm)
Height	4" (10 cm)
Width	14.4" (36 cm)
Weight Capacity	
Maximum Weight	150 lbs (68 kg)
Shipping Weight	350 lbs (158 kg)
Filled Weight	490 lbs (222 kg)
Volume Capacity	
Reservoir Capacity	20 gal (75.6L)
Soak Tank Capacity	3 gal (11.4L)
Operating Temperature	
Minimum Operating Temperature	110°F (43.3°C)
Time to Heat to Operating Temperature	2 – 2.5 hours
Power	Grounded, dedicated 120V, 60Hz, 15A electrical outlet
Listing	ETL

OPERATION

- ✓ The AQ-1 **MUST** be pre-heated. The unit is at cleaning temperature when the yellow heat light turns off. Failure to pre-heat will cause the unit to malfunction.



- ✓ Check water level daily; never allow the water level to drop below the fill level. If the water level is too low, the heating elements will be exposed and damaged. Remove the parts tray and the chip tray to fill the unit with water to the fill tab.



- ✓ Do NOT use petroleum based cleaning fluids or flammable products in this parts washer.
- ✓ Do not dump debris into tank as it will clog the pump assembly.

3.2.1. All Modes

1. Make certain that the parts washer is plugged into a grounded working outlet. Green POWER light will come on.
2. Make sure locks on front wheels are engaged.
3. Put on protective eyewear, clothing, shoes and insulated gloves before operating unit (see MSDSs 820021 20% Dilute or 820022 Concentrate).
4. Amber HEATING light will go on and will stay on while solution is heating. Solution is at cleaning temperature when the amber HEATING light turns off.
5. Flow-thru brush and spigot can be used while the spray chamber is in use.
6. When all parts cleaning operations are complete, allow parts to drain for 1 minute.
7. Close the sink. If the parts washer is going to be unattended for a long period of time, remove all parts and unplug the unit.

3.2.2. Spray Chamber

1. Release sink by lifting lid latch on right side of equipment. Lift lid to fully open position.
2. Drain all excess fluids from the parts (e.g. oil, grease, trans fluids).
3. Place parts in the parts tray inside the spray chamber.
4. Close the lid. Make sure the lid latch is engaged.
5. Turn the wash timer to the desired number of minutes to start the wash cycle. You should hear the pump start its operation.
6. Allow the parts washer to run through the complete wash cycle.
7. Once the wash cycle completes, allow the fluid to drain from the cleaned parts for one minute before opening lid. This minimizes cleaning fluid loss.
8. Raise lid to inspect parts but be aware of rising steam and cleaning fluid vapors.
9. Remove cleaned parts from the parts tray. Remember, parts will be hot. As an option, the parts tray can be lifted out.

3.2.3. Soak Tank

1. Release sink by lift lid latch on right side of equipment. Place part in soak tank (located on the right side).
2. Close soak tank drain valve on side of tank.
3. Close the sink and ensure the lid latch is engaged.

SAFETY-KLEEN SYSTEMS, INC.

AQ-1 OPERATOR BOOKLET

4. Turn on the pump by turning wash timer to desired number of minutes. This will fill the soak tank and begin soak and agitated wash. You should hear the pump start its operation.
5. Allow the parts washer to run through the complete wash cycle.
6. Raise lid to inspect parts but be aware of rising steam and cleaning fluid vapors. If desired, open soak tank drain valve on side of soak tank.

3.2.4. Brush or Spigot (For Manual Cleaning)

1. Make sure lid is closed and latched. Place the parts in sink.
2. Open the spigot valve to allow flow from the spigot and/or open the brush valve to allow flow through the brush.
3. Turn on the pump by turning wash timer to the desired number of minutes. You should hear the pump start its operation. The cleaning fluid will flow through the brush or spigot or both.
4. Wash parts.
5. Once the wash cycle completes, allow the fluid to drain from the cleaned parts for one minute. This minimizes cleaning fluid loss.

TROUBLESHOOTING

Problem	Possible Solution
No Power	<ul style="list-style-type: none">• Ensure the power cord is connected to a grounded, dedicated, 120V, 60Hz, 15A electrical outlet .• If the Ground Fault Circuit Interrupt (GFCI) breaker has tripped, press the GFCI Reset button on Control Panel.• If the automatic timer is in use, ensure it is in the "ON" cycle.
Pump Doesn't Work	<ul style="list-style-type: none">• Ensure the power cord is connected to a grounded, dedicated, 120V, 60Hz, 15A electrical outlet in proper working order.• Ensure the washer timer is turned on.• If the red "ADD WATER" light is on, remove the parts tray and add water to the fill tab.
Pump Works, But No Fluid Flow	<ul style="list-style-type: none">• Ensure the valve to the flow-thru brush, spigot is open• Check hoses for a blockage or crimp; check spigot for blockage.
Drainage Issue	<ul style="list-style-type: none">• Remove debris from crumb cup in sink and dispose of properly.• Check that soak tank drain valve is open.
Foaming	<ul style="list-style-type: none">• Unit was not pre-heated. Allow the unit to heat until the yellow heat light is out.
Parts Not Cleaned In Spray Chamber	<ul style="list-style-type: none">• Contact the Safety-Kleen Representative.

SERVICE AND REPAIR

This equipment is to be serviced only by authorized Safety-Kleen personnel using an approved cleaning fluid. If you have any questions, require repairs, or need early service, call your Safety-Kleen Service Representative at the phone number provided on the inside cover of this booklet and/or on the equipment.

In accordance with your service agreement with Safety-Kleen Systems, Inc., a Safety-Kleen Service Representative will:

- Install and set up the Safety-Kleen equipment
- Be your primary contact with Safety-Kleen
- Put the name and phone number of the nearest Safety-Kleen branch on the equipment and/or on the inside cover of this booklet
- Provide information about your contract with Safety-Kleen and about the Safety-Kleen service
- Explain to you what cleaning fluid is provided with the equipment, provide SDS's and answer any questions you may have about the cleaning fluid.

Additional assistance can be found at the Safety-Kleen website: www.safety-kleen.com or by calling Safety-Kleen's 24 Hour Hotline at 1-800-545-3520.



Safety-Kleen Systems, Inc.
2600 North Central Expressway
Suite 200
Richardson, TX 75080