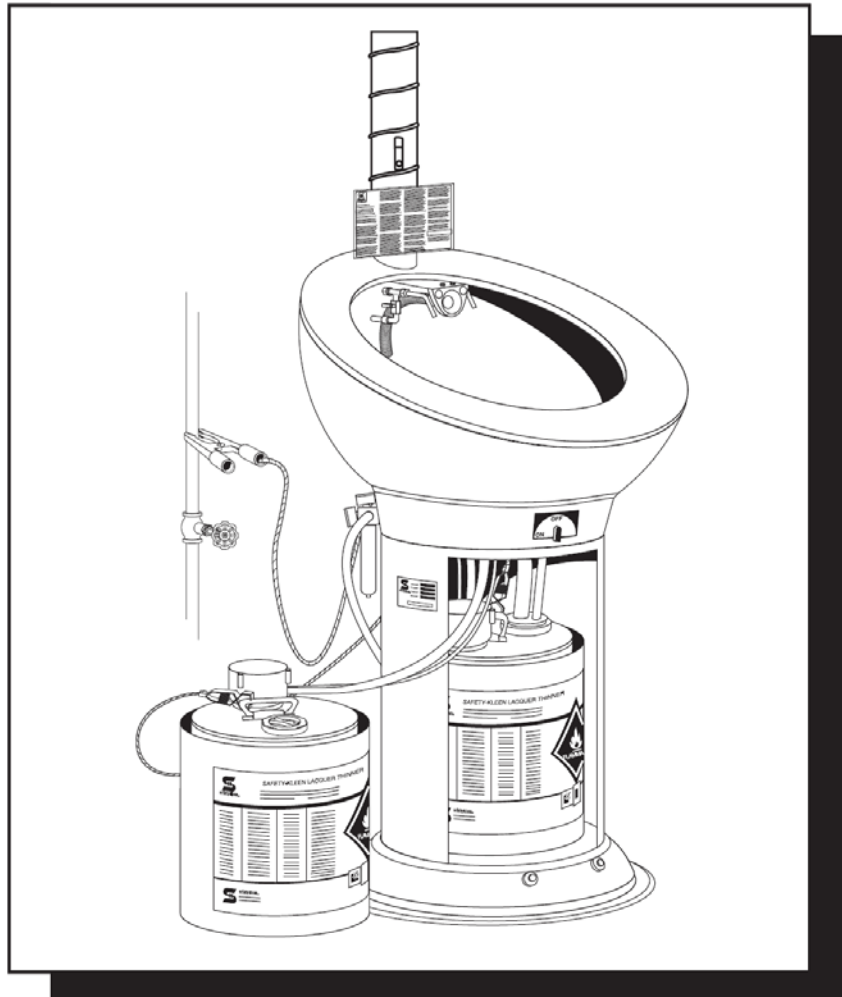


# SAFETY-KLEEN MODEL 1077 MANUAL PAINT GUN AND EQUIPMENT CLEANER OPERATOR'S BOOKLET



**Customer should read and retain this booklet.**

All rights reserved. No part of this publication may be reproduced, stored in a retrieval system, or transmitted in any form or by any means - electronic, mechanical, photocopying, recording, or otherwise - without prior written permission of Safety-Kleen Systems, Inc.

**Local Safety-Kleen Branch Office:**

---

**Address:** \_\_\_\_\_

---

**Phone No.:** \_\_\_\_\_

## TABLE OF CONTENTS

<b>Safety Measures</b>	<b>2</b>
<b>Safe Use Instructions</b>	<b>2</b>
<b>The Equipment</b>	<b>4</b>
<b>Specifications</b>	<b>4</b>
<b>Site Requirements</b>	<b>4</b>
<b>Operating Controls</b>	<b>6</b>
<b>Operation</b>	<b>6</b>
<b>Service and Repair</b>	<b>9</b>

## SAFETY MEASURES



Prior to handling this equipment, carefully read this manual as well the equipment's cleaning fluid Safety-Data Sheet (SDS), provided by your Safety-Kleen Representative. This booklet provides the operator vital safety information about the equipment's operation and troubleshooting procedures. The SDS contains critical information about the cleaning fluid's proper usage, health hazards, first aid, shipping, handling and storage, and emergency and environmental information. It is also available at: [www.safety-kleen.com](http://www.safety-kleen.com). The operator should keep this booklet and the SDS within easy reach.

The Safety-Kleen cleaning fluid and other additives provided by Safety-Kleen are the ONLY cleaning agents intended for use in this equipment. The use of any other cleaning agents could cause a hazardous condition over which Safety-Kleen has no control and which will void equipment warranty.

Do NOT modify this equipment. Modification will void equipment warranty as well as the required ETL listing, and may cause personal injury and/or property damage.

Complete safety in the workplace is dependent upon the proper handling of this equipment and the cleaning fluid used in it. Therefore, it is important to carefully follow all safety/safe-use instructions and operational procedures provided in this booklet, as well as all instructions included on the SDS and equipment labels. Failure to do so may create a dangerous working environment.

## SAFE USE INSTRUCTIONS



The cleaning fluids used in this equipment have been classified as follows:  
**MAY BE HARMFUL OR FATAL IF SWALLOWED - MAY BE HARMFUL IF ABSORBED THROUGH THE SKIN - MAY IRRITATE THE NOSE, THROAT, LUNGS, EYES, SKIN, AND DIGESTIVE TRACT - MAY CAUSE ALLERGIC SKIN AND RESPIRATORY REACTION - MAY CAUSE CENTRAL NERVOUS SYSTEM DAMAGE**

### IMPORTANT SAFETY INSTRUCTIONS

1. Read and understand the Operator's Booklet and the Safety Data Sheet for the cleaning fluid used in this Safety-Kleen equipment before operating. Use only as described in this manual. Use only manufacturer's supplied attachments.
2. Do not allow anyone suffering from respiratory problems or allergies to cleaning fluids to operate this equipment.
3. Paint guns cleaned in this equipment must be suitable for cleaning in equipment classified as Class 1, Division 1/Zone 1. If unsure, please contact your paint gun supplier for advice.
4. A fire extinguisher (dry chemical type ABC, dry chemical type BC, foam, carbon dioxide or Halon) must be kept nearby when working with flammable solvents. Do not use water to extinguish a fire.
5. Ensure all bonding and grounding straps are in place and unit is connected to a proper earth ground.
6. Ensure the air supply to the unit is at least 85 pounds per square inch (PSI) and 10 SCFM.
7. The exhaust piping from this machine must be vented directly outdoors or connected to a suitable hooded ventilation system in the paint booth. If exhausting indoors, the termination of the exhaust piping must not be within 3 feet of an ignition source.

**NOTE:** Venting requirements, work space areas, emission and fire code regulations may vary from one location to the next. Check with your local fire and regulatory agencies for the venting method required for your location and operation.

8. **CANADA ONLY:** Unit must be installed in a well-ventilated area with a dedicated air supply hose. Air mover must be vented directly outdoors with exhaust at a minimum of 12 feet (3.6m) from the outside grade.
9. This equipment is furnished with a safety valve that will interrupt the automatic wash cycle if the lid is opened before the wash cycle is completed. Do not try to defeat this valve.
10. Do NOT operate equipment with a damaged cord or if the equipment has been dropped or damaged until it has been examined by a qualified serviceman.
11. If an extension cord is necessary, a cord with a current rating equal to or more than that of the equipment should be used. Cords rated for less current than the equipment may overheat. Care should be taken to arrange the cord so that it will not be tripped over or pulled.
12. To reduce the risk of fire, do NOT operate equipment in the vicinity of any open containers of flammable liquids (e.g., gasoline) or near any ignition source. Keep away from heat, spark, or flame.
13. To reduce the risk of electric shock, do NOT use on wet surfaces or expose to rain. Do NOT operate any electrical apparatus inside the equipment.
14. Do NOT use below garage floor or grade level.
15. Use ONLY in a well-ventilated area.
16. Avoid contact with cleaning fluid or vapor. Always wear appropriate personal protective equipment (gloves, apron, eyewear, respirator [where required]) to meet OSHA protection standards. ALWAYS WEAR SAFETY GLASSES. Everyday eyeglasses only have impact resistant lenses, they are not safety glasses. Consult the SDS and follow all recommended safety information.
17. Do NOT smoke, eat, or drink in the work area. Use good personal hygiene. Wash hands thoroughly with soap and water after handling. Clean water should be available in the work areas for flushing the eyes and skin.
18. Care must be taken as burns can occur from touching hot parts.
19. Do NOT modify this equipment. Modification may cause personal injury and/or property damage, and will void equipment warranty. Serious injury could result from the misuse of this equipment.
20. Do NOT operate this equipment in any manner that can cause splashing or mist to form.
21. Use ONLY the cleaning fluid provided. Do NOT spray aerosols into or around this equipment. Do NOT add water, or any other cleaning fluids or chemicals to the cleaning fluid. The use of other chemicals may cause a hazardous condition. Do NOT remove cleaning fluid from the equipment.
22. Drain all parts before cleaning.
23. Do NOT lean into this equipment.
24. Do NOT place hot parts in contact with the cleaning fluid.
25. Do NOT clean friction materials (e.g., brake linings and clutch surfaces) in this equipment. Do NOT clean or degrease porous or absorbent materials, such as; cloth, leather, wood, or paper in this equipment.
26. In any emergency, turn off the equipment and any air or electrical supply.
27. Do NOT operate the equipment if a leak is apparent or occurs during use. Slippery conditions can result. Use caution when attempting to stop the leak (only attempt if possible to do without risk). Clean up spills immediately. Consult SDS for clean-up measures. Cleaning fluid vapors can spread further than the spill itself. They may also collect in pits or other low areas, creating a fire hazard. Contact your Safety-Kleen Representative.
28. Do NOT obstruct or hang anything on the lid. Close the lid when the equipment is NOT in use.
29. Always unplug equipment from the electrical outlet when not in use or when being maintained, serviced, or repaired. Never use the cord to pull the plug from the outlet. Grasp plug and pull to disconnect.

**SAVE THESE INSTRUCTIONS**

## THE EQUIPMENT

The Safety-Kleen Model 1077 Manual Paint Gun and Equipment Cleaner is an economical, air operated, safe, and innovative system designed to effectively clean paint spray guns and their related components and equipment. The Model 1077 Gun Cleaner consists of a wash bowl with two foot pedal activated spigots - one for clean and the other for recirculated cleaning fluid. The Model 1077 also includes a Blow-Out Funnel, which is located between the spigots. When cleaning the inside of a spray gun, connect the spray gun to an air line and blow out the remaining residue through the funnel. This helps reduce the spread of vapors. The Model 1077 is designed to remove vapors safely by venting through an air driven extractor. The extractor actively draws the vapors directly into the venting hose, away from the operator as long as air is supplied to the gun cleaner. As an added safety feature, the gun cleaner is bonded and grounded directly to a proper Earth ground to prevent a static discharge.

## SPECIFICATIONS

### Dimensions

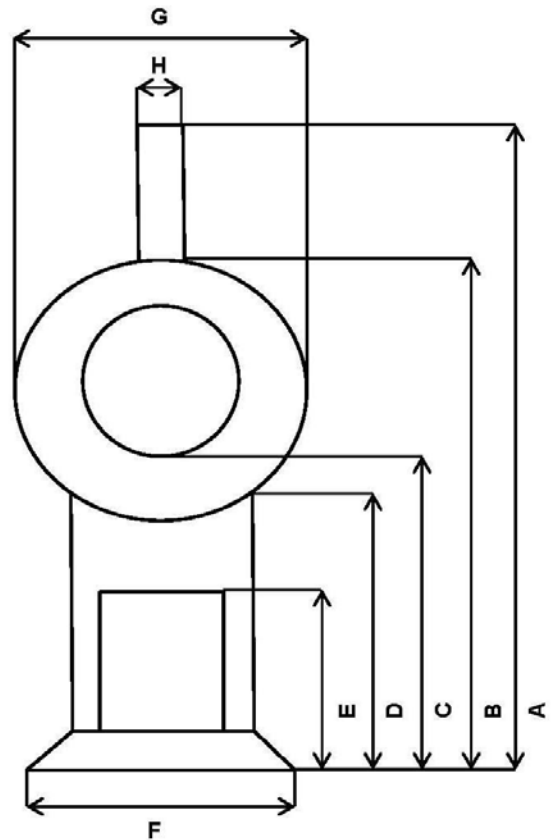
A:	70 ½" (179.1 cm)
B:	50 ½" (128.3 cm)
C:	38" (96.5 cm)
D:	32" (81.3 cm)
E:	20" (50.8 cm)
F:	25" (63.5 cm)
G:	28 ¾" (73 cm)
H:	3 ¼" (8.3 cm)

<b>Ready to use weight</b>	66 lbs (30 kg)
<b>Operation type</b>	Manual
<b>Range of pH</b>	6 to 8
<b>Machine color</b>	Black and gray
<b>NRTL listings</b>	cETLus
<b>Materials</b>	Steel
<b>Sound pressure level</b>	71 dB(A) measured at a distance of 1 m
<b>Sound power level</b>	85 dB(A)
<b>Compressed air needed</b>	90-175 psi (6-12 bar) 9 cfm (250 liters/min)
<b>Solvent pressure</b>	45 psi (3 bar) maximum

## SITE REQUIREMENTS

<b>Floor space width:</b>	29 inches (73.7 cm)
<b>Floor space depth:</b>	27 ½ inches (69.9 cm)
<b>Height clearance:</b>	59 inches (149.9 cm)
<b>Distance to vent:</b>	Maximum of 24 feet
<b>Work area:</b>	Sufficient lighting and floor should be level and smooth

Proper earth grounding is required since combustible fumes and static electricity may be present. The exhaust piping from this machine must be vented directly outdoors, connected to a suitable ventilation system in the paint booth or if exhausting indoors, the termination of the exhaust piping must NOT be within 3 feet of an ignition source.



## UNITED STATES

Some workplaces in the United States use the NFPA Division or Zone system to designate areas subject to flammable vapors. These designations are used in the explanation below. If the workplace is not using either of these systems, the gun cleaner unit must be located a safe distance away from other equipment. See Figure 1 for appropriate distances for placement.

The Model 1077 Gun Cleaner can be placed in locations classified as Class 1, Division 1/Zone 1. If the Model 1077 Gun Cleaner is installed in locations classified as Class 1, Division 2/Zone 2, or in unclassified locations, the area within 5 feet from the unit is to be classified as Class 1, Division 1/Zone 1. Outside this area, another 3 feet is to be classified as Class 1, Division 2/Zone 2. Within these classified areas of Class 1, Division 1/Zone 1 and Class 1, Division 2/Zone 2, all equipment, such as electrical items and ventilation equipment must be approved for the applicable Division/Zone (Figure 1). Equipment that generates open flames or sparks (e.g. welding or grinding equipment) may not be used in these areas. Smoking is not permitted. If in any doubt, contact the local fire service authorities for guidance.

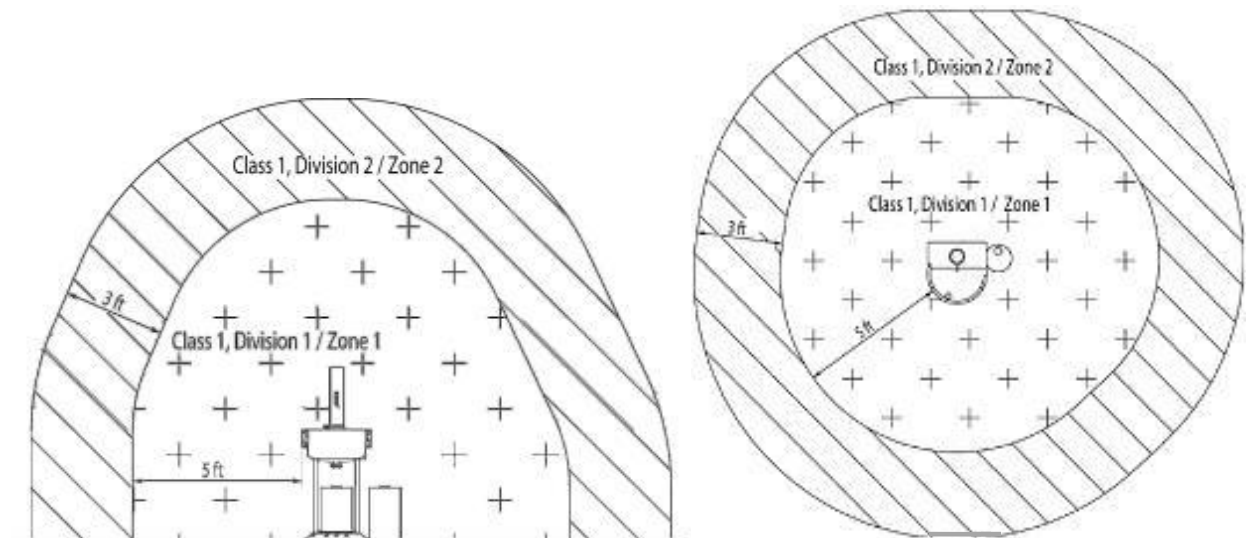


Figure 1

**Note:** Venting requirements, work space areas, emission and fire code regulations may vary from one location to the next. Check with local fire and regulatory agencies for the venting method required for customer's location and operation.

## CANADA ONLY

Work with body shop manager and painters to determine the best location for the unit. Hazardous Areas are designated as:

- The space inside the cleaning bowl and its support stand
- The space within the ventilation exhaust duct
- All spaces up to 9.84 feet (3 m) from discharge end of ventilation exhaust duct in all directions not separated by a solid, non-combustible barrier (wall) extending beyond the Hazardous Area
- All spaces up to 4.92 ft (1.5 m) from the unit in all directions (extending from grade level to 4.92 ft (1.5 m) above the unit i.e. 9.84 ft (3 m) high)

The Hazardous Area must be free of any potential source of spark or flame. No electrical equipment or device is to be allowed within the Hazardous Area unless it is Canadian Standards Association (CSA) approved for the applicable Hazardous Area. In general the following requirements must be observed within the Hazardous Area:

- No electrical motors, heaters, transformers or battery chargers
- No electrical panels or switchboards

- No switches, junction boxes or electrical outlets
- No live conduits or cables
- No electrically operated equipment such as telephones, PA system components, security system and alarm or automotive electrical systems, etc.
- No open flame or "hot work" performed, such as flame cutting, welding, metal grinding, drilling, etc.
- No other potential source of spark or flame, including sparks generated from metal surfaces sliding over each other such as overhead door hardware

## OPERATING CONTROLS

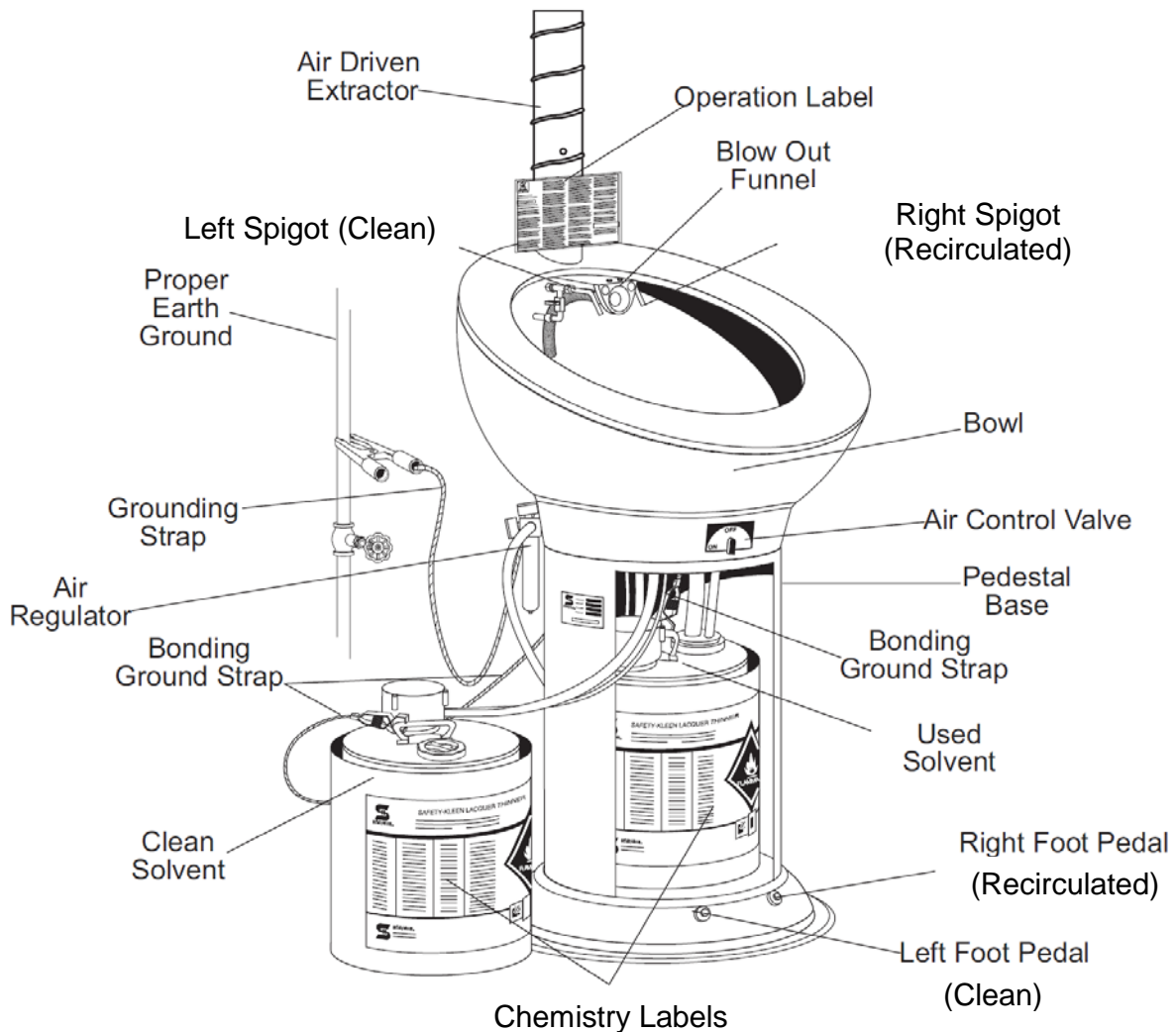
There are four control components used in the operation of the Model 1077 Gun Cleaner which are described below (see Figure 1).

**Air Control Valve:** Used to turn the machine "ON" and "OFF."

**Right Foot Pedal:** Used to start the flow of recirculated cleaning fluid from the right (recirculated) cleaning fluid spigot.

**Left Foot Pedal:** Used to start the flow of clean cleaning fluid from the left (clean) cleaning fluid spigot.

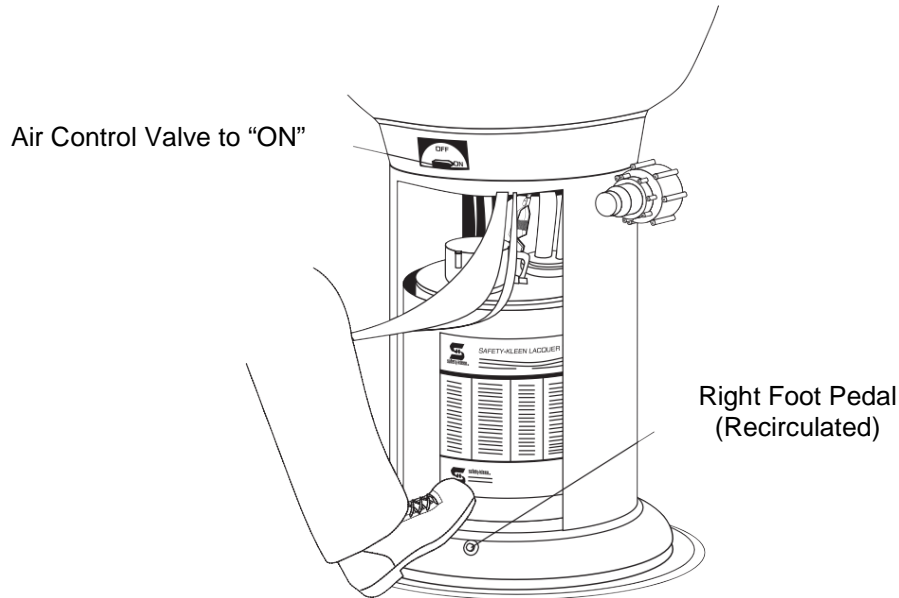
**Blow-Out Funnel:** Used by connecting the cleaned spray gun to the air line, placing the spray gun nozzle into the funnel and squeezing the spray gun trigger to blow out any remaining fluid residue.



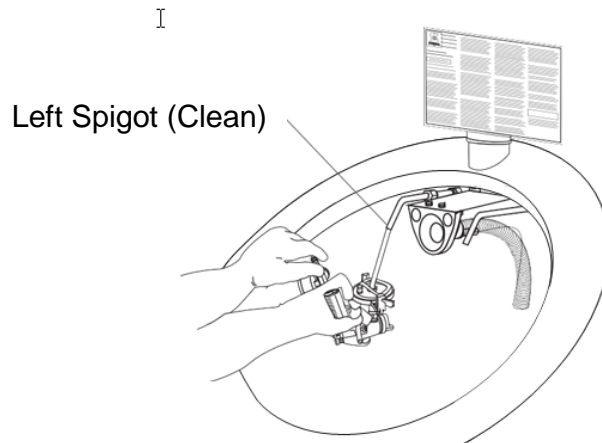


## OPERATION

1. Detach the air hose from the paint gun.
2. Separate the paint cup from the spray gun head.
3. Drain as much paint as possible from the paint cup into a properly labeled waste paint container.  
**Note:** Do not discard paint or add any other materials into the Paint Gun and Equipment Cleaner.
4. Connect the air supply line to the air inlet of the gun cleaner. Turn the air valve control to the "ON" position.
5. Hold the paint cup under the right hand (recirculated) spigot. Press the right pedal on the base of the gun cleaner to add a small amount of cleaning fluid into the paint cup.



6. Use the brush provided to clean the inside and outside of the paint cup. Do not empty the paint cup.
7. Reattach the paint cup to the spray gun head and shake vigorously.
8. Empty the paint cup into the sink of the gun cleaner.
9. Hold the paint cup under the left (clean) spout. Press the left pedal on the base of the gun cleaner to add a small amount of clean cleaning fluid into the paint cup.
10. Swirl the contents to rinse the inside of the paint cup.
11. Empty the paint cup into the sink of the gun cleaner.
12. Turn the paint gun head upside down with the paint nozzle directed into the sink. Place the gun suction tube over the left spout. Squeeze the spray gun trigger and press the left foot pedal. A small amount of cleaning fluid will flow through the suction tube and spray gun head.



13. Use clean cleaning fluid to clean the outside of the nozzle (gun tip), air cap, and the paint cup.
14. The clean fluid spray can be altered by adjusting the airflow with the knob on the right side of the gun cleaner.
15. As a final cleaning option, forced air can be used to blow out any residual cleaning fluid from the spray gun. Connect the spray gun air hose to the air line on the left side of the machine, and blow out the spray gun through the funnel. This funnel prevents vapors from spreading within the premises.

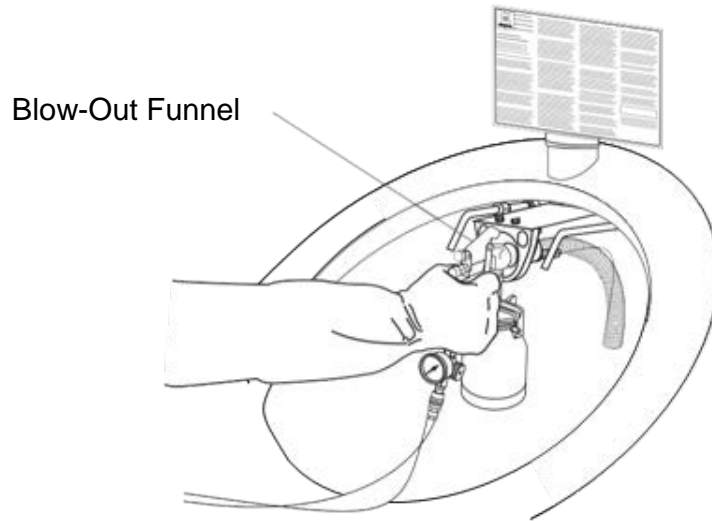


Figure 4

16. Turn off the air supply once all cleaning operations are completed.

#### 4. TROUBLESHOOTING

Problem	Possible Solution
<b>Fluid Doesn't Flow</b>	<ul style="list-style-type: none"> <li>• Ensure the air supply to the unit is at least 10 SCFM at 85 PSI. Check air connection and compressor.</li> <li>• Push the suction hose further down into the used cleaning fluid container.</li> <li>• Cleaning fluid level too low in used cleaning fluid container. Top off with cleaning fluid.</li> </ul>
<b>Fluid Doesn't Drain From Sink</b>	<ul style="list-style-type: none"> <li>• Remove debris or clogs.</li> </ul>
<b>Fluid Doesn't Transfer Properly</b>	<ul style="list-style-type: none"> <li>• Add cleaning fluid if the fluid is low.</li> </ul>
<b>Fluid Is Leaking</b>	<ul style="list-style-type: none"> <li>• Tighten the fittings and/or replace the hose.</li> </ul>
<b>Air Driven Extractor Produces Low Air Flow</b>	<ul style="list-style-type: none"> <li>• Remove any kinks from the air lines</li> </ul>
<b>Pump Doesn't Work</b>	<ul style="list-style-type: none"> <li>• Contact a Safety-Kleen Representative.</li> </ul>
<b>Paint Gun Cleaner Doesn't Work When Foot Pedal Is Pressed</b>	<ul style="list-style-type: none"> <li>• Remove any kinks from the air lines</li> <li>• Check foot pedal for obstruction</li> </ul>

<p><b>Poor Cleaning Performance</b></p>	<ul style="list-style-type: none"> <li>• Confirm that the suction line is down far enough in can of solvent</li> <li>• Confirm that there is enough solvent in each of the cans</li> <li>• Confirm that there is sufficient air supply to run pump</li> <li>• Reposition the spray gun to see if cleaning improves</li> <li>• Check for an air leak</li> </ul>
<p><b>No Solvent Flow No Pump Noise</b></p>	<ul style="list-style-type: none"> <li>• Confirm that the air connection is plugged in and on/off valve is open</li> <li>• Remove tubing to pump inlet and press foot pedal           <ul style="list-style-type: none"> <li>○ If there is air flow, replace the pump</li> <li>○ If air does not come out, investigate the tubing line for kinks</li> </ul> </li> <li>• Check for an air leak</li> </ul>
<p><b>No Solvent Flow Pump Makes Noise</b></p>	<ul style="list-style-type: none"> <li>• Confirm that there is enough solvent in the can</li> <li>• May need to repair pump by cleaning check valves (diaphragm) or impeller (centrifugal)</li> <li>• Check for an air leak</li> </ul>
<p><b>Air Leak</b></p>	<ul style="list-style-type: none"> <li>• Follow the noise and locate the leak</li> <li>• Check for loose tubing and reconnect or replace, as necessary</li> <li>• Moisture trap float may be cleaned of debris, or replaced</li> </ul>

If these steps do not resolve the situation, contact a Safety-Kleen Representative.

## SERVICE AND REPAIR

In accordance with your service agreement with Safety-Kleen Systems, Inc., a Safety-Kleen service representative will:

- Install and set up the Safety-Kleen equipment
- Be your primary contact with Safety-Kleen
- Put the name and phone number of the nearest Safety-Kleen branch on the equipment and/or on the inside cover of this booklet
- Provide information about your service contract with Safety-Kleen
- Explain what cleaning fluid is provided with the equipment, provide SDS's and answer any questions about the cleaning fluid

This equipment is to be serviced only by authorized Safety-Kleen personnel using an approved cleaning fluid. If you have any questions, require repairs, or need early service, contact your local branch or Safety-Kleen at 1-800-669-5740. Additional assistance can be found at [www.safety-kleen.com](http://www.safety-kleen.com).



Safety-Kleen Systems, Inc.  
2600 North Central Expressway  
Suite 400  
Richardson, TX 75080

Printed in USA

Rev. 06/2015

SK 817295